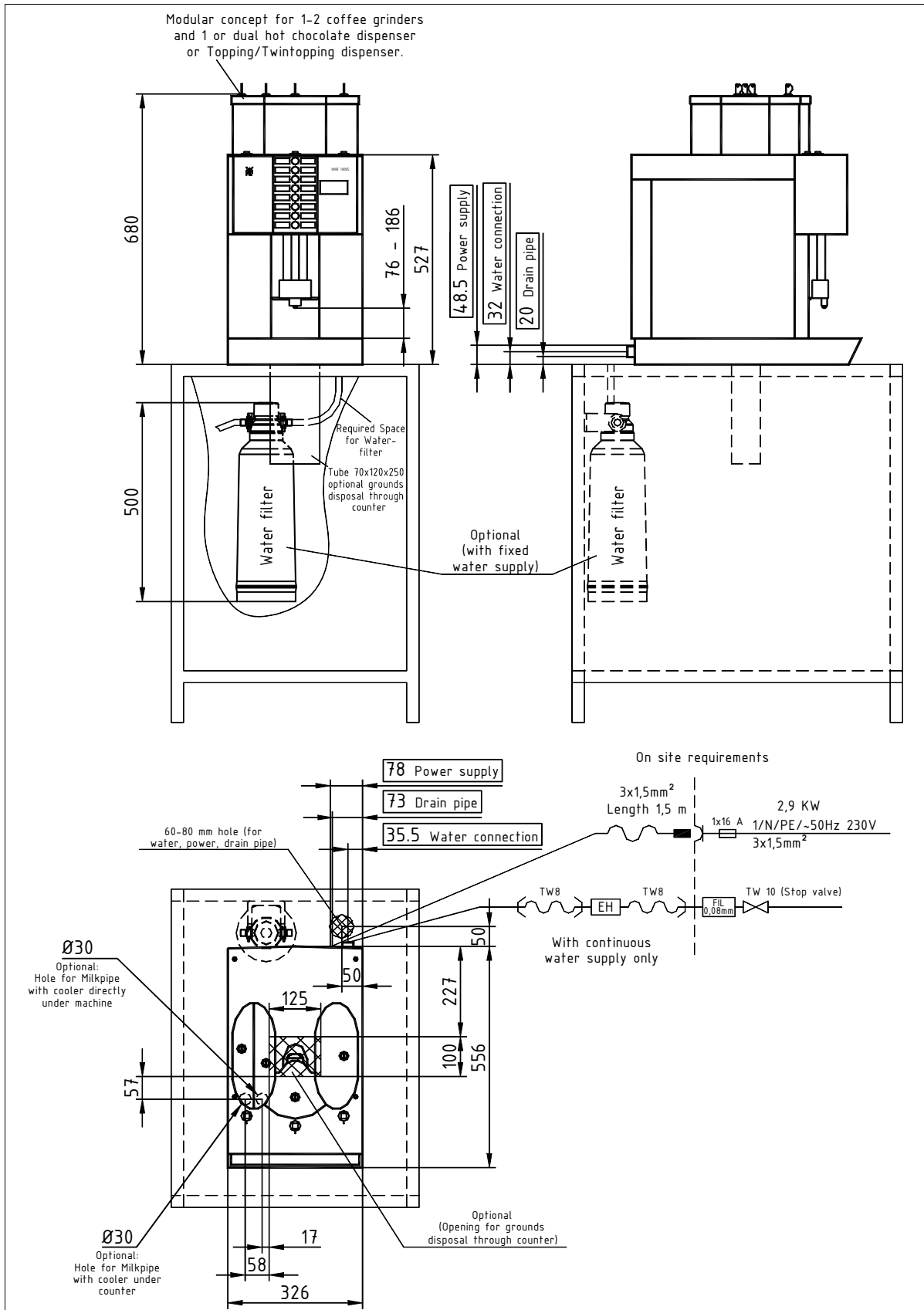


WMF COFFEE MACHINES

WMF Planning Information

1800 S Series 1800



WMF AG (Coffee Machine Department)

D-73309 Geislingen/Steige Germany

Tel: + 49 73 31 - 25 87 68

Email: Gastronomie@wmf.de

Order No. 63.8438.0390

Fax + 49 73 31/25 81 69

Web: <http://www.wmf.de>

WMF COFFEE MACHINES

Data Sheet 1800 S Series 1800

| | | |
|--|--|--|
| <p>The article numbers in the table represent only a cross-section of the complete range of articles</p> <p>The WMF 1800 S series is a modular system and can be customised to customer requirements</p> | 03 1800 0051 | 1800 S 1 / N / PE, 50Hz, 230V, 2,9KW, 1 x 16 A (CEE form) fuse required (not included), integrated milk foamer, hot water outlet, 2 lockable coffee grinders, manual coffee insert, hot chocolate dispenser, LED illumination, Plug&Clean , fixed water connection 3/8" drain pipe DN19mm, Espresso, Café Crème, Cappuccino, Latte Macchiato, chocolate, single coffee spout 76 – 186mm |
| | 03 1800 0052 | 1800 S 1 / N / PE, 50Hz, 230V, 2,9KW, 1 x 16 A (CEE form) fuse required (not included), hot water outlet, 2 lockable coffee grinders, manual coffee insert, twintopping dispenser, LED illumination , fixed water connection 3/8" drain pipe DN19mm, Espresso, Café Crème, Cappuccino, Latte Macchiato, chocolate, single coffee spout 76 – 186mm |
| | 03 1800 0053 | 1800 S 1 / N / PE, 50Hz, 230V, 2,9KW, 1 x 16 A (CEE form) fuse required (not included), integrated milk foamer, hot water outlet, 2 lockable coffee grinders, manual coffee insert, hot chocolate dispenser, LED illumination, Plug&Clean , fixed water connection 3/8" drain pipe DN19mm, Espresso, Café Crème, Cappuccino, Latte Macchiato, chocolate, single coffee spout 76 – 186mm |
| | 03 1800 0054 | 1800 S 1 / N / PE, 50Hz, 230V, 2,9KW, 1 x 16 A (CEE form) fuse required (not included), integrated milk foamer, hot water outlet, 1 lockable coffee grinders, manual coffee insert, hot chocolate dispenser, LED illumination, Plug&Clean , fixed water connection 3/8" drain pipe DN19mm, Espresso, Café Crème, Cappuccino, Latte Macchiato, chocolate, single coffee spout 76 – 186mm |
| | 03 1800 0055 | 1800 S 1 / N / PE, 50Hz, 230V, 2,9KW, 1 x 16 A (CEE form) fuse required (not included), hot water outlet, 1 lockable coffee grinders, manual coffee insert, topping dispenser, LED illumination , fixed water connection 3/8" drain pipe DN19mm, Espresso, Café Crème, Cappuccino, Latte Macchiato, single coffee spout 76 – 186mm |
| | 03 1800 0056 | 1800 S 1 / N / PE, 50Hz, 230V, 2,9KW, 1 x 16 A (CEE form) fuse required (not included), integrated milk foamer, hot water outlet, 2 lockable coffee grinders, manual coffee insert, hot chocolate dispenser, LED illumination, Plug&Clean, ground disposal through counter, coin checker , fixed water connection 3/8" drain pipe DN19mm, Espresso, Café Crème, Cappuccino, Latte Macchiato, chocolate, single coffee spout 76 – 186mm |
| | 03 1800 0057 | 1800 S 1 / N / PE, 50Hz, 230V, 2,9KW, 1 x 16 A (CEE form) fuse required (not included), integrated milk foamer, hot water outlet, 2 lockable coffee grinders, manual coffee insert, hot chocolate dispenser, LED illumination, Plug&Clean, card reader housing , fixed water connection 3/8" drain pipe DN19mm, Espresso, Café Crème, Cappuccino, Latte Macchiato, chocolate, single coffee spout 76 – 186mm |
| | 03 1800 0058 | 1800 S 1 / N / PE, 50Hz, 230V, 2,9KW, 1 x 16 A (CEE form) fuse required (not included), hot water outlet, 2 lockable coffee grinders, manual coffee insert, topping dispenser, LED illumination , fixed water connection 3/8" drain pipe DN19mm, Espresso, Café Crème, Cappuccino, Latte Macchiato, single coffee spout 76 – 186mm |
| | 03 1800 0059 | 1800 S 1 / N / PE, 50Hz, 230V, 2,9KW, 1 x 16 A (CEE form) fuse required (not included), integrated milk foamer, hot water outlet, 1 lockable coffee grinders, manual coffee insert, LED illumination, Plug&Clean, coin checker , fixed water connection 3/8" drain pipe DN19mm, Espresso, Café Crème, Cappuccino, Latte Macchiato, single coffee spout 76 – 186mm |
| | 03 1800 0060 | 1800 S 1 / N / PE, 50Hz, 230V, 2,9KW, 1 x 16 A (CEE form) fuse required (not included), integrated milk foamer, hot water outlet, 2 lockable coffee grinders, manual coffee insert, hot chocolate dispenser, LED illumination, Plug&Clean, coin changer , fixed water connection 3/8" drain pipe DN19mm, Espresso, Café Crème, Cappuccino, Latte Macchiato, chocolate, single coffee spout 76 – 186mm |
| 03 1800 0061 | 1800 S 1 / N / PE, 50Hz, 230V, 2,9KW, 1 x 16 A (CEE form) fuse required (not included), hot water outlet, 1 lockable coffee grinders, manual coffee insert, topping dispenser, LED illumination , fixed water connection 3/8" drain pipe DN19mm, Espresso, Café Crème, Cappuccino, Latte Macchiato, single coffee spout 76 – 186mm | |

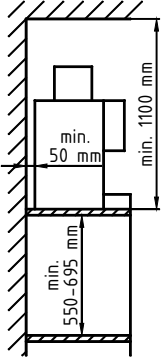
WMF COFFEE MACHINES

Data Sheet 1800 S Series 1800

| | |
|--|--|
| Brewing process: | Specialty coffees and hot chocolate with and without milk or milk powder topping. Hot chocolate made from chocolate powder, hot water and milk. |
| Daily output : | Max. 180 cups of specialty coffees with and without added milk or milk foam, total output per day 24 L hot water |
| Option: | Lockable bean container 1 kg left & right, 0,5 kg in the middle, LED-illumination in various colours, water filter (dimensions 145 mm Ø x 500 mm height), drainage connection DN 19 , |
| Accessories: | Multitool, cleaning brush, 2 bottles of descaler, 100 detergent tablets, 1l milk system cleaner |
| Type of protection: | IP20 |
| Protection class: | Class I |
| Perceptible heat emission: | 0.14 kWh/h in standby mode for all types with rated power 2.9 kW |
| Perceptible heat emission: | 2.9 kWh/h in maximum mode for all types with rated power 2.9 kW |
| Continuous sound pressure level (Lpa) | < 70 dB (A) |
| Water connection: | 3/8", TW10, with service valve or angle valve |
| Dynamic Pressure: | minimum 0,2 MPa (2,0 bar), at 2 L/min., |
| Miscellaneous: | coffee machine with dry grounds disposal into an integrated coffee grounds container or optional with grounds disposal into a customer provided container |
| Drain: | Drain DN 19, Gradient at least 2% |
| Empty weight: | approx. 33-43 kg |

WMF COFFEE MACHINES

Data Sheet 1800 S Series 1800

| | |
|---|---|
| <p>Installation clearance:</p>  | <p>For the installation a minimum clearance of 50 mm to the back wall and to the side walls or other non-WMF equipment is required for the machine to function, for service and safety reasons.</p> <p>A clear height of about 1100 mm from the top of the installation area is required. The height of the installation area from the floor should be at least 850 mm. Installation of accessories underneath the unit requires sufficient space, i.e. for the water softener (145 mm diameter and 500 mm height).</p> <p>If the connections of the machine are through the counter, consider the space required by the connection lines, which may restrict the usable space in the substructure.</p> |
| <p>Electrical connection:</p> | <p>The following specifications for the electrical connection and the cited standards are applicable for connecting machines in EU countries. If applicable, additional national regulations must be observed. Outside the EU the acceptance of the cited standards must be checked by those marketing the machines.</p> <p>The building electrical system must comply with IEC 364. For increased safety the device must be connected to a residual current circuit breaker (RSCB) with 30 mA rated fault current (EN 61008). A standard three-phase electrical socket (CEE form) must be installed near the device or 30 cm below the top of the counter, at the back or on the side of the counter. If the power connection cord of this device has been damaged, it must be replaced by our customer service or by a similarly qualified person. The power cord must not be in contact with hot objects. The electrical socket is not included; it is part of the provided building installation.</p> <p><u>Please note:</u> To prevent any interference with our shielded data lines by equipotential currents between the devices, an additional equipotential bonding should be installed for devices connected to an accounting system. (See IEC 364)</p> |
| <p>Water feed and drainage:</p> | <p>A sufficiently large, easily accessible stop valve (preferably a ball valve) and a dirt trap with a 0.080 mm mesh must be installed in the water pipe underneath the counter.</p> <p>The drain must be installed at the rear panel of the bottom cupboard approx. 50 cm down from the top of the counter.</p> <p>A pipe trap must be installed in the vented drainage pipe. The drain pipe from the coffee machine must be fastened to the pipe trap and vented.</p> <p>The WMF specific conditions for water, power and drainage must be observed at all times.</p> <p>An opening is required in accordance to the elevation drawing for the connection from below the counter. Alternatively the connections for electricity, water and drainage can be taken through the body of the machine from the back in the indicated <input type="checkbox"/> area (see the elevation drawing and side view).</p> <p>A WMF water softener is required to comply with WMF specifications if the water is harder than 90 to 160 ppm. Please follow the WMF connection specifications.</p> <p>CAUTION: The water pressure must not exceed 0.6 MPa (6 bar) at any time.</p> |