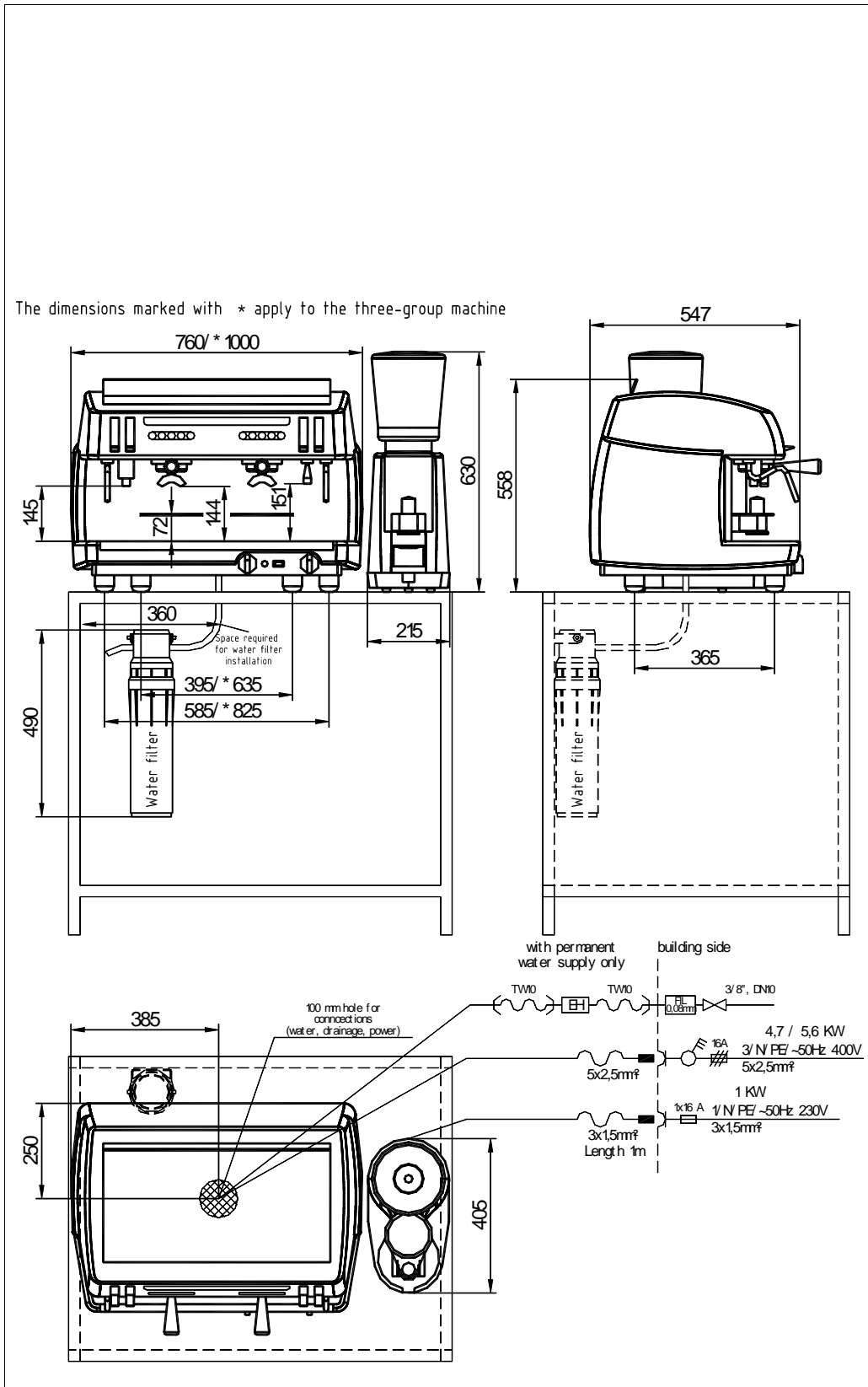


WMF COFFEE MACHINES

WMF Planning Info

FAEMA espresso machines series 9400



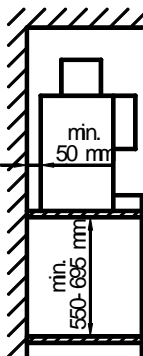
WMF COFFEE MACHINES

Data sheet for FAEMA espresso machines series 9400

The article numbers in the table represent only a cross-section of the complete range of articles	<p>03 9407 1001 FAEMA, 3 / N / PE, 50Hz, 400V, 4.7 kW, fuse protection building 3x16 A, semi-automatic espresso machine with Turbosteam function and integrated espresso pump, 2 brewing groups with 5 dispensing buttons each, including 1 programming button, fixed water connection 3/8", drain DN 19, automatic water level control for hot water and steam dispenser, espresso, café crème, cappuccino, latte macchiato, double dispenser 140 mm</p> <p>03 9408 1001 FAEMA, 3 / N / PE, 50Hz, 400V, 5.6 kW, fuse protection building 3x16 A, semi-automatic espresso machine with Turbosteam function and integrated espresso pump, 3 brewing groups with 5 dispensing buttons each, including 1 programming button, fixed water connection 3/8", drain DN 19, automatic water level control for hot water and steam dispenser, espresso, café crème, cappuccino, latte macchiato, double dispenser 140 m</p> <p>03 9009 0001 coffee grinder for espresso machines, 1 / N / PE, 50Hz, 230V, 0.35 kW, fuse protection building 1x16 A, housing: cast aluminium, silver surface, capacity 1.6 kg, dosage adjustment 5-9 g, automatic shut-off and automatic regrinding, output per hour 11 kg</p> <p>03 9314 1001 WMF water filter for FAEMA espresso machines only, including stirrer</p>
Brewing process:	specialty coffees with and without addition of milk
Output per hour:	ca. 240 cups per brewing group
Option:	with fixed water connection water softener (installation space 126 mm Ø x 490 mm height), drain connection DN 19
Accessories:	3 filter holders 2 with dual discharge and 2-cup filter and 1 filter holder with 1-cup filter, cleaning brush, cleaning filter, milk hose, milk suction nozzle
Degree of protection:	IPX0
Protection class:	I
Perceptible heat emission:	0.45 kWh/h in standby mode
Perceptible heat emission:	4.7 kWh/h in maximum mode for all types with rated power 4.7 kW 5.6 kWh/h in maximum mode for all types with rated power 5.6 kW
Continuous sound pressure level (Lpa)	< 70 dB (A)
Water connection:	DN 10, (3/8")
Flow pressure:	with fixed water connection at least 0.2 MPa (2.0 bar), at 2 L min.
Drain:	drip tray with drain DN 19, gradient at least 2%
Empty weight:	ca. 73 kg for series 9407 ca. 95 kg for series 9408
Coffee and dispenser grinder	coffee-bean container, capacity 1.6 kg
Output per hour:	ca. 11 kg
Degree of protection:	IPX0
Protection class:	I
Perceptible heat emission:	0.01 kWh/h in standby mode 0.35 kWh/h in maximum mode
Continuous sound pressure level (Lpa)	< 70 dB (A)
Empty weight:	15 kg

WMF COFFEE MACHINES

Data sheet for FAEMA espresso machines series 9400

<p>Installation clearances:</p> 	<p>For the installation a minimum clearance of 50 mm to the back wall and at the sides to walls or other non-WMF equipment is required for functional, service and safety reasons.</p> <p>The height of the installation area from the top of the floor should be at least 700 mm and a maximum of 900 mm. Installation of accessories underneath the unit (such as water filter) requires sufficient space for the water filter (126 mm diameter and 490 mm height).</p> <p>If the connections of the machine are down through the counter, please also consider the space required by the connection lines, which may restrict the usable space in the substructure.</p>
<p>Electrical connection:</p>	<p>The following specifications for the electrical connection and the cited standards are applicable for connecting machines in EU countries. If applicable, additional national regulations must be observed. Outside the EU the acceptance of the cited standards must be checked by the persons who market the machines.</p> <p>The building electrical system must comply with IEC 364. For increased safety the device should be protected by an earth-leakage circuit breaker with 30 mA rated fault current (EN 61008). A standard single-phase electrical outlet or a standard 5-pin three-phase electrical outlet complying with EN 60309 must be installed near the device or 30 cm below the top of the counter on the back or side of the counter. If the power connection cord of this device has been damaged, it must be replaced by our customer service or by a similarly qualified person. If the machine is permanently connected to the building power supply, a circuit breaker that disconnected all poles (main switch) in accordance with EN 60947 must be installed with at least 3 mm contact separation must be installed to protect the machine; the disconnecting device is recommended for a flexible connection. The power cord must not be in contact with hot objects. The main switch and the electrical outlet are part of the building installation. The machine must not be installed with a fixed building connection when used with a trolley (mobile station).</p> <p><u>Important information:</u></p> <p>To prevent any interference with our shielded data lines by equipotential currents between the devices, an additional equipotential bonding should be installed for devices connected to an accounting system. (See IEC 364)</p>
<p>Water feed and drainage:</p>	<p>A sufficiently large, easily accessible stop cock (preferably a ball valve) and a dirt filter with a 0.080 mm mesh must be installed in the water pipe under the counter.</p> <p>If there is a drainage connection, the drain must be installed at the rear panel of the bottom cupboard 50 cm from the top of the counter.</p> <p>A pipe syphon must be installed in the vented drainage pipe. (Fit hose connection in the funnel with a hose ring holder) The WMF-specific conditions for water, power and effluent must be observed at all times.</p> <p>For the connection from below through the counter an opening is required in accordance with the drawing (see elevation drawing) or a hole approx. 80 to 120 mm in diameter. Alternatively the connections for electricity, water and drainage can be taken through the body of the machine from the back in the indicated <input type="checkbox"/> area (see the elevation and side view).</p> <p>If the water contains more than 5 ppm carbonate, a WMF water filter must be installed.</p> <p>CAUTION: The static water pressure must not exceed 0.6 MPa (6 bar).</p>