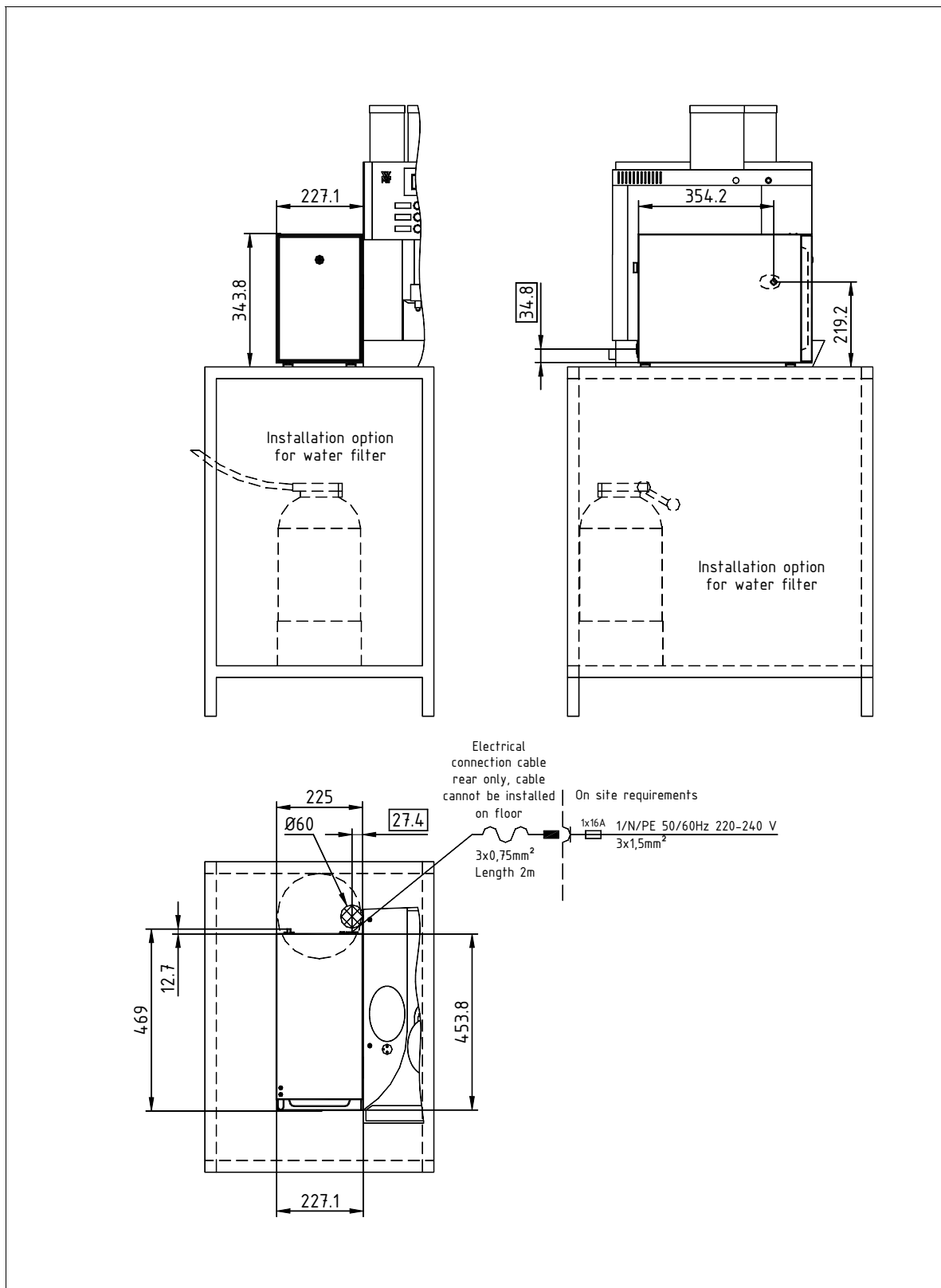


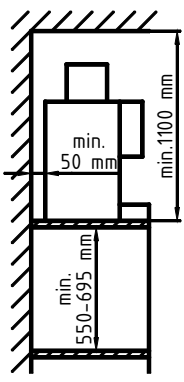
WMF Coffee Machines

WMF Planning Info Auxiliary Cooler 3,5 L



WMF Coffee Machines

Data sheet for Auxiliary Cooler 3,5 L

Type:	03 9190 0001 Auxiliary Cooler for WMF Coffee Machine Prestonlino!, Presto, 2000S and Bistro, 1 / N / PE, 50Hz, 230V, 0,09 KW, fuse protection 16 A,
Capacity:	Milk container 3,5 L, including lid equipped with Plug & Clean-connection and Plug & Clean hose adapter. Cooling temperature is individually and continuously adjustable from +2o C to +8o C as long as the room temperature lies between +16 o and 32 o C; default setting +2o C
Option:	Lockable front door: equipped as standard
Degree of protection:	IPX0
Protection class:	Protection class I
Perceptible heat emission:	0,015 KWh/h in medium mode
Continuous sound pressure level (L_{pa})	<60 dB (A)
Miscellaneous:	The auxiliary cooler can only be installed on the left viewed from the server side of the coffee machine, connecting cable 1.4 m long, On/Off switch. Individually adjusted, continuous compressor cooling.
Empty weight:	03 9192 0001 13,5 kg
Installation clearances:	<p>For installation a minimum clearance of 50 mm to the back wall, coffee machine side to walls or other non-WMF equipment is required for operation, service and safety reasons. A clear height of 1100 mm from the top of the installation area is required. The height of the installation area from the top of the floor should be at least 700 mm and a maximum of 900 mm. Installation of accessories under the unit (such as water filter or sediment separator) requires a clearance of 550 and 695 mm, depending on the configuration and the local installation conditions.</p> <p>If the connections of the machine run through the counter, consider the space required by the connection lines, which may restrict the usable space in the substructure.</p> 
Electrical connection:	<p>The following specifications for the electrical connection and the cited standards are applicable for connecting machines in EU countries however additional national regulations must be observed. Outside the EU the acceptance of the cited standards must be checked by the persons who market the machines.</p> <p>The building electrical system must comply with IEC 364. For increased safety, the device should be protected by an earth-leakage circuit breaker with 30 mA rated fault current (EN 61008). A standard electrical outlet compliant with EN 60309 must be installed near the device or 30 cm below the top of the counter at the back or side of the counter structure for a single-phase connection. If the power connection cord of this device is damaged, it must be replaced by our customer service or by a similarly qualified person. The power cord must not be in contact with hot objects. The electrical outlet is part of the building installation. The machine must not be installed with a fixed building connection.</p>