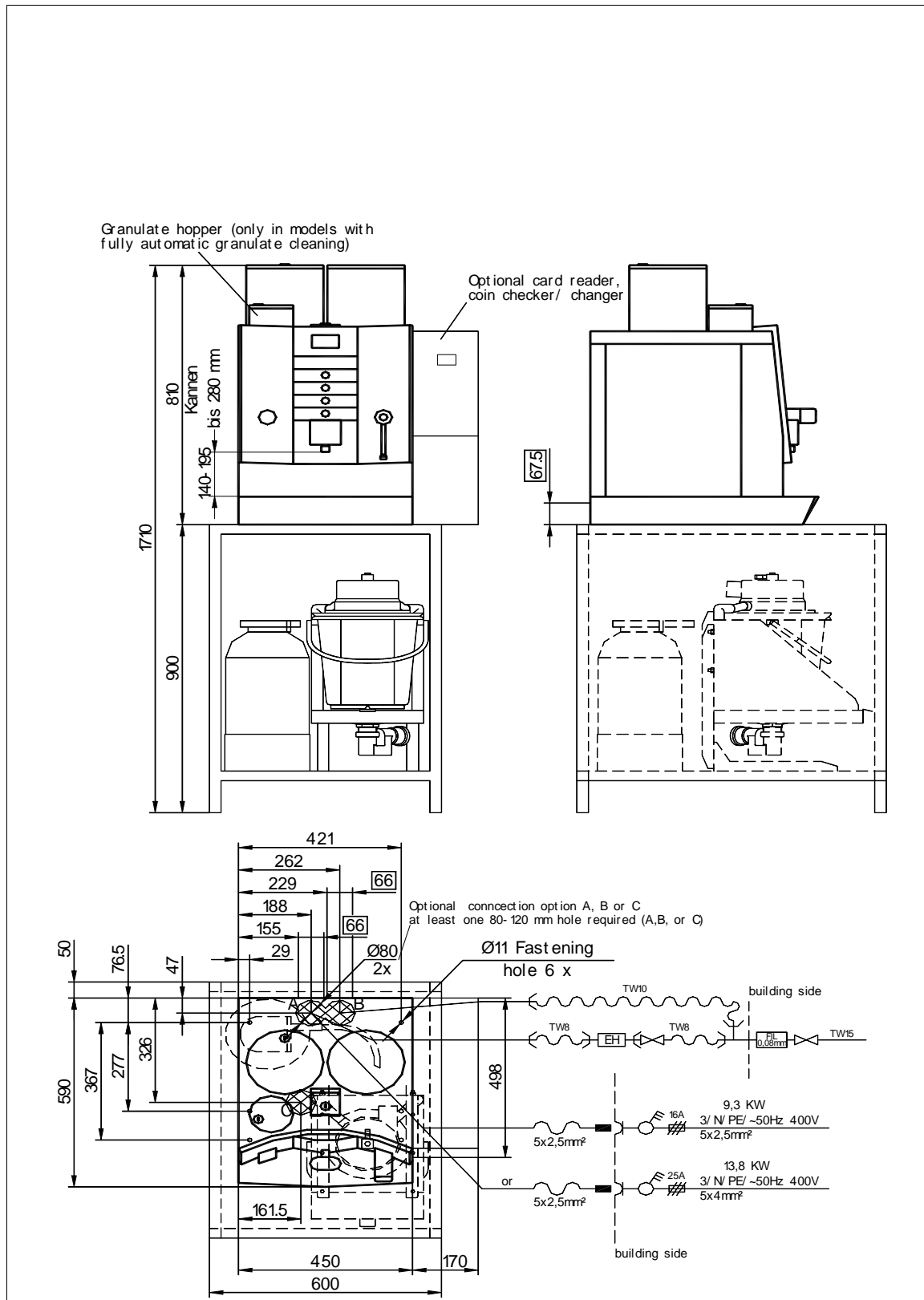


# WMF COFFEE MACHINES

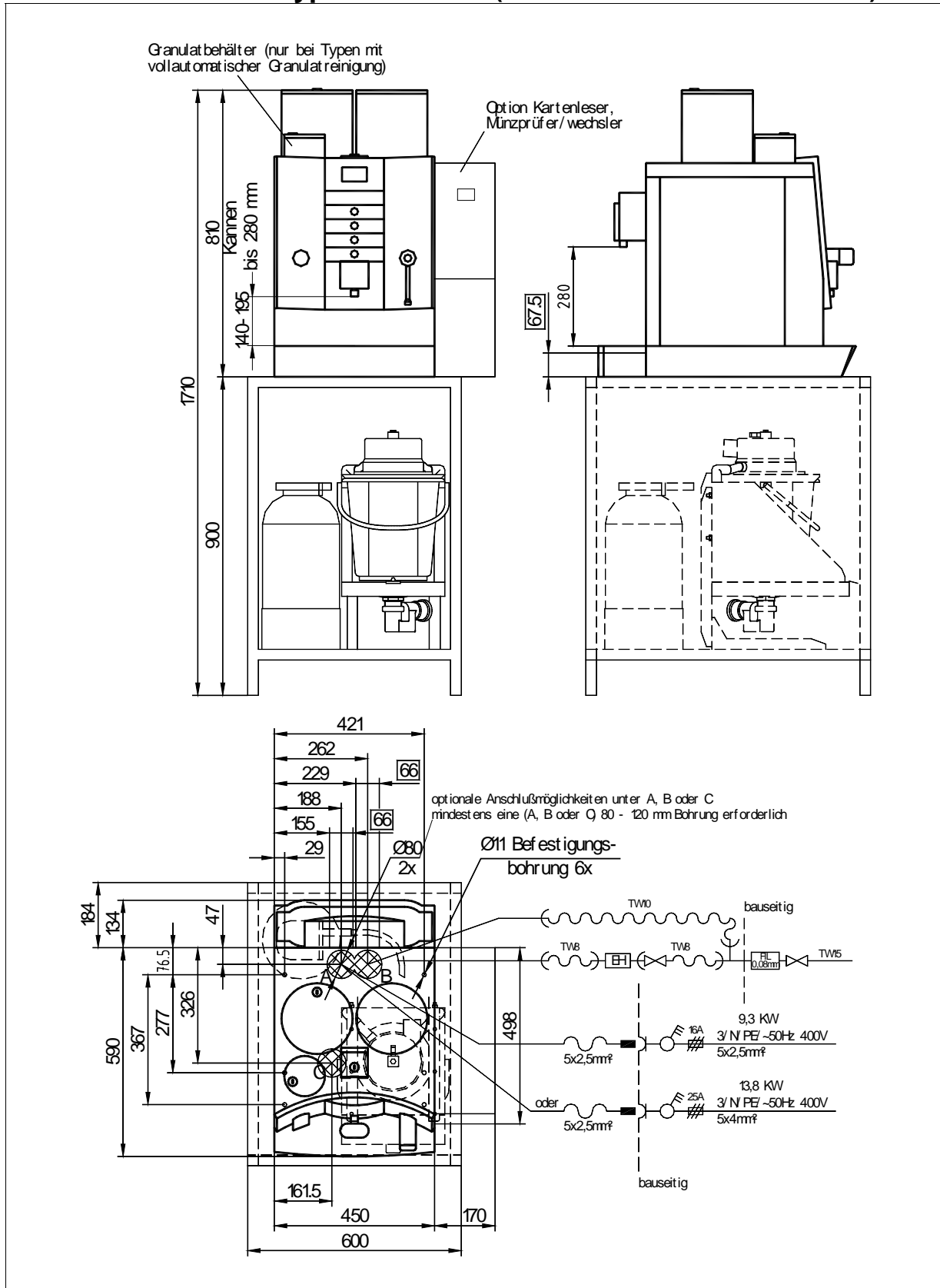
## WMF Planning Info combiNationF



# WMF COFFEE MACHINES

## WMF Planning Info

### combiNation F Type 8700 0148 (rear coffee and hot water outlet)



# WMF COFFEE MACHINES

<b>Base models:</b> other types different from the base models can be combined with the modular structure of the combiNation F series.	<b>03 8700 0010</b>	aluminium design	3 / N /PE, 50Hz, 400V, 9.3 kW, fuse protection building
	<b>03 8700 0011</b>	beech design	3x16 A, ( <b>electrical feed 5x2.5 mm<sup>2</sup></b> ), 1 supply tank 4 L,
	<b>03 8700 0012</b>	anthracite design	hot water metering, <b>fixed front panel, height below</b>
	<b>03 8700 0013</b>	basic	<b>140 mm and 195 mm, manual granulate cleaning</b>
	<b>03 8700 0014</b>	aluminium design	3 / N /PE, 50Hz, 400V, 13.8 kW, fuse protection building
	<b>03 8700 0015</b>	beech design	3x25 A, ( <b>electrical feed 5x4 mm<sup>2</sup></b> ), 1 supply tank 4 L, hot
	<b>03 8700 0016</b>	anthracite design	water metering, <b>fixed front panel, height below 140 mm</b>
	<b>03 8700 0017</b>	basic	<b>and 195 mm, manual granulate cleaning</b>
	<b>03 8700 0020</b>	aluminium design	3 / N /PE, 50Hz, 400V, 9.3 kW, fuse protection building
	<b>03 8700 0021</b>	beech design	3x16 A, ( <b>electrical feed 5x2.5 mm<sup>2</sup></b> ), 1 supply tank 4 L,
	<b>03 8700 0022</b>	anthracite design	hot water metering, <b>height-adjustable front panel,</b>
	<b>03 8700 0023</b>	basic	<b>height below 140 mm, 195 mm and 280 mm, manual</b>
	<b>03 8700 0024</b>	aluminium design	3 / N /PE, 50Hz, 400V, 13.8 kW, fuse protection building
	<b>03 8700 0025</b>	beech design	3x25 A, ( <b>electrical feed 5x4 mm<sup>2</sup></b> ), 1 supply tank 4 L, hot
	<b>03 8700 0026</b>	anthracite design	water metering, <b>height-adjustable front panel, height</b>
	<b>03 8700 0027</b>	basic	<b>below 140 mm, 195 mm and 280 mm, manual</b>
	<b>03 8700 0030</b>	aluminium design	3 / N /PE, 50Hz, 400V, 9.3 kW, fuse protection building
<b>03 8700 0031</b>	beech design	3x16 A, ( <b>electrical feed 5x2.5 mm<sup>2</sup></b> ), 1 supply tank 4 L, hot	
<b>03 8700 0032</b>	anthracite design	water metering, <b>fixed front panel, height below 140 mm</b>	
<b>03 8700 0033</b>	basic	<b>and 195 mm, fully automatic granulate cleaning</b>	
<b>03 8700 0034</b>	aluminium design	3 / N /PE, 50Hz, 400V, 13.8 kW, fuse protection building	
<b>03 8700 0035</b>	beech design	3x25 A, ( <b>electrical feed 5x4 mm<sup>2</sup></b> ), 1 supply tank 4 L, hot	
<b>03 8700 0036</b>	anthracite design	water metering, <b>fixed front panel, height below 140 mm</b>	
<b>03 8700 0037</b>	basic	<b>and 195 mm, fully automatic granulate cleaning</b>	
<b>03 8700 0040</b>	aluminium design	3 / N /PE, 50Hz, 400V, 9.3 kW, fuse protection building	
<b>03 8700 0041</b>	beech design	3x16 A, ( <b>electrical feed 5x2.5 mm<sup>2</sup></b> ), 1 supply tank L, hot	
<b>03 8700 0042</b>	anthracite design	water metering, <b>height-adjustable front panel, height</b>	
<b>03 8700 0043</b>	basic	<b>below 140 mm, 195 mm and 280 mm, fully automatic</b>	
<b>03 8700 0044</b>	aluminium design	3 / N /PE, 50Hz, 400V, 13.8 kW, fuse protection building	
<b>03 8700 0045</b>	beech design	3x25 A, ( <b>electrical feed 5x4 mm<sup>2</sup></b> ), 1 supply tank L, hot	
<b>03 8700 0046</b>	anthracite design	water metering, <b>height-adjustable front panel, height</b>	
<b>03 8700 0047</b>	basic	<b>below 140 mm, 195 mm and 280 mm, fully automatic</b>	
<b>03 8700 0050</b>	aluminium design	3 / N /PE, 50Hz, 400V, 9.3 kW, fuse protection building	
<b>03 8700 0051</b>	beech design	3x16 A, ( <b>electrical feed 5x2.5 mm<sup>2</sup></b> ), 1 supply tank 4 L,	
<b>03 8700 0052</b>	anthracite design	<b>fixed front panel, height below 140 mm and 195 mm,</b>	
<b>03 8700 0053</b>	basic	<b>manual granulate cleaning</b>	
<b>03 8700 0054</b>	aluminium design	3 / N /PE, 50Hz, 400V, 13.8 kW, fuse protection building	
<b>03 8700 0055</b>	beech design	3x25 A, ( <b>electrical feed 5x4 mm<sup>2</sup></b> ), 1 supply tank 4 L,	
<b>03 8700 0056</b>	anthracite design	<b>fixed front panel, height below 140 mm and 195 mm,</b>	
<b>03 8700 0057</b>	basic	<b>manual granulate cleaning</b>	
<b>03 8700 0148</b>	aluminium design with additional, rear-mounted coffee and hot-water dispenser	3 / N /PE, 50Hz, 400V, 9.3 kW, fuse protection building	
		3x16 A, ( <b>electrical feed 5x2.5 mm<sup>2</sup></b> ), 1 supply tank L, hot	
		water metering, <b>fixed front panel, height below 140 mm,</b>	
		<b>undercounter height fully at the back 280 mm,</b>	
		<b>automatic cleaning</b>	

Design rear panels for all machines in basic, aluminium, beech or anthracite design on request

**Brewing process:** filtered coffee

WMF Aktiengesellschaft Vertrieb Kaffeemaschinen

D-73309 Geislingen/Steige Germany

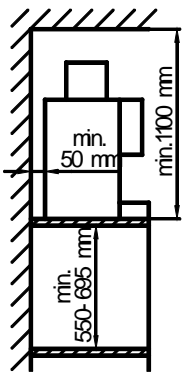
Tel. 0 73 31 - 25 71 98

E-mail: [Gastronomie@wmf.de](mailto:Gastronomie@wmf.de)

Fax 0 73 31/25 72 95

Internet: <http://www.wmf.de>

# WMF COFFEE MACHINES

<b>Output per hour:</b>	<b>03 8700 0010-13</b> 430 cups of filter coffee, 72 L hot-water output, total <b>03 8700 0020-23</b> 430 cups of filter coffee, 72 L hot-water output, total <b>03 8700 0030-33</b> 430 cups of filter coffee, 72 L hot-water output, total <b>03 8700 0040-43</b> 430 cups of filter coffee, 72 L hot-water output, total <b>03 8700 0050-53</b> 430 cups of filter coffee, 72 L hot-water output, total <b>03 8700 0014-17</b> 500 cups of filter coffee, 108 L hot-water output, total <b>03 8700 0024-27</b> 500 cups of filter coffee, 108 L hot-water output, total <b>03 8700 0034-37</b> 500 cups of filter coffee, 108 L hot-water output, total <b>03 8700 0044-47</b> 500 cups of filter coffee, 108 L hot-water output, total <b>03 8700 0054-57</b> 500 cups of filter coffee, 108 L hot-water output, total <b>03 8700 0148</b> 430 cups of filter coffee, 72 L hot-water output, total
<b>Option:</b>	self-service model, without or fitted with cashless payment with cards or bank card reader or coin checker / changer (WMF housing modules available)
<b>Accessories:</b>	water softener, sediment separator, chocolate dispenser, cupboard
<b>Degree of protection:</b>	IPX0
<b>Protection class:</b>	Protection class I
<b>Perceptible heat emission:</b>	0.2 kW/h in standby mode
<b>Perceptible heat emission:</b>	9.15 kWh/h in maximum mode for all types with rated power 9.3 kW 13.65 kWh/h in maximum mode for all types with rated power 13.8 kW
<b>Continuous sound pressure level (L<sub>pa</sub>)</b>	< 65 dB (A)
<b>Water connection:</b>	1/2" (TW 15)
<b>Flow pressure:</b>	at least 0.2 MPa, at 8 L min., maximum 0.6 MPa
<b>Miscellaneous:</b>	wet coffee grounds discharge
<b>Drain:</b>	DN 40 (1 1/2"), gradient at least 2%
<b>Empty weight:</b>	ca. 68 kg
<b>Installation clearances:</b>	<p>For the installation a minimum clearance of 50 mm to the back wall and at the sides to walls or other non-WMF equipment is required for functional, service and safety reasons. A clear height of 1100 mm from the top of the installation area is required. The height of the installation area from the top of the floor should be at least 700 mm and a maximum of 900 mm. Installation of accessories underneath the unit (such as water filter or sediment separator) requires a clearance of 550 and 695 mm, depending on the configuration and the local installation conditions.</p> <p>If the connections of the machine are down through the counter, please also consider the space required by the connection lines, which may restrict the usable space in the substructure.</p> 

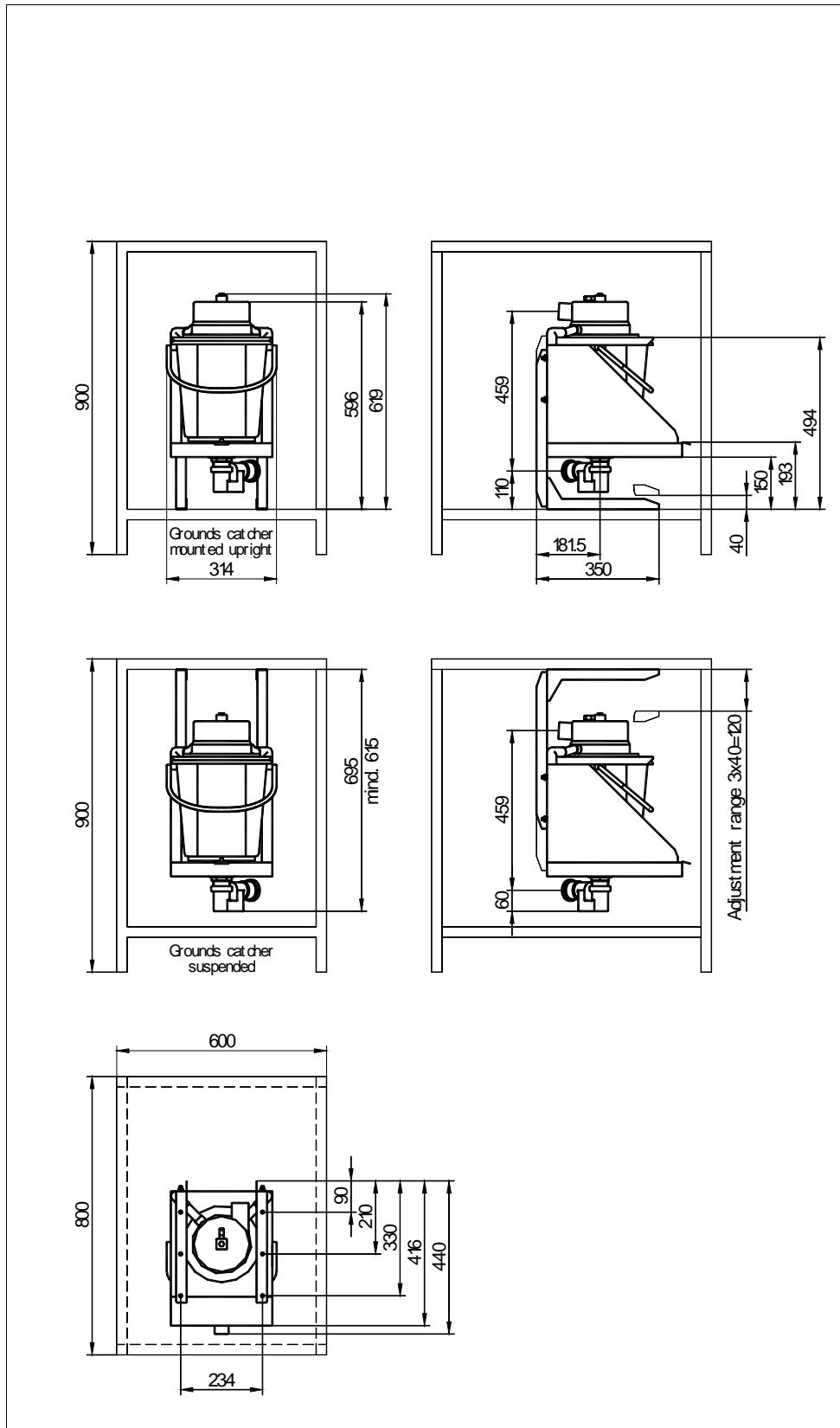
# WMF COFFEE MACHINES

<b>Electrical connection:</b>	<p>The following specifications for the electrical connection and the cited standards are applicable for connecting machines in EU countries. If applicable, additional national regulations must be observed. Outside the EU the acceptance of the cited standards must be checked by the persons who market the machines.</p> <p>The building electrical system must comply with IEC 364. For increased safety the device should be protected by an earth-leakage circuit breaker with 30 mA rated fault current (EN 61008). A standard single-phase electrical outlet or a standard 5-pin three-phase electrical outlet complying with EN 60309 must be installed near the device or 30 cm below the top of the counter on the back or side of the counter. If the power connection cord of this device has been damaged, it must be replaced by our customer service or by a similarly qualified person. If the machine is permanently connected to the building power supply, a circuit breaker that disconnected all poles (main switch) in accordance with EN 60947 must be installed with at least 3 mm contact separation must be installed to protect the machine; the disconnecting device is recommended for a flexible connection. The power cord must not be in contact with hot objects. The main switch and the electrical outlet are part of the building installation. The machine must not be installed with a fixed building connection when used with a trolley (mobile station).</p> <p><u>Important information:</u> To prevent any interference with our shielded data lines by equipotential currents between the devices, an additional equipotential bonding should be installed for devices connected to an accounting system. (See IEC 364)</p>
<b>Water feed and drainage:</b>	<p>A sufficiently large, easily accessible stop cock (preferably a ball valve) and a dirt filter with a 0.080 mm mesh must be installed in the water pipe under the counter.</p> <p>If a sediment separator is installed, a drainage connection must be available towards the back of the bottom cupboard about 100 mm above the installed floor or socket.</p> <p>If the drainage connection does not have a sediment separator, the drain must be installed at the rear panel of the bottom cupboard 50 cm from the top of the counter.</p> <p>A pipe syphon must be installed in the vented drainage pipe. (Fit hose connection in the funnel with a hose ring holder)</p> <p>The WMF-specific conditions for water, power and effluent must be observed at all times.</p> <p>For the connection from below through the counter an opening is required in accordance with the drawing (see elevation drawing) or a hole approx. 80 to 120 mm in diameter. Alternatively the connections for electricity, water and drainage can be taken through the body of the machine from the back in the indicated <input type="checkbox"/> area (see the elevation and side view).</p> <p>If the water contains more than 160 ppm carbonate, a WMF water filter must be installed. The Standard 9310, 9312 or Jumbo 9311 water filter can be used depending on requirements.</p> <p><b>CAUTION:</b> The static water pressure may exceed 0.6 MPa (6 bar).</p>

# WMF COFFEE MACHINES

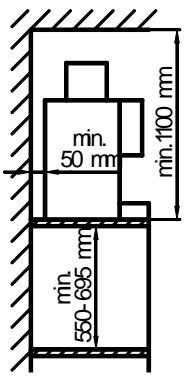
## WMF Planning Info

### Grounds catcher



# WMF COFFEE MACHINES

## Data sheet for grounds catcher

<b>Type:</b>	<b>03 9011 0001 sediment separator</b> for coffee grounds (wet discharge)
<b>Capacity:</b>	sediment container capacity ca. 3.5 kg coffee grounds, corresponding to ca. 600 cups of coffee
<b>Feed:</b>	flexible hose from Programat 4, Programat GV or combiNation F
<b>Drain:</b>	1 ½" (DN 40) gradient at least 2%
<b>Accessories:</b>	including WMF pipe syphon 33 2163 2000. Fitted with capacitive fill level sensor and a plug for connection to the coffee machine controller.
<b>Installation information:</b>	suitable for standing or suspended installation. Only install with pipe syphon. The sediment separator can be installed as low as 579 mm and as high as 695 mm with the adjustable feet, depending on the position and height of the pipe syphon and drain
<b>Empty weight:</b>	15 kg
<b>Installation clearances:</b>	<p>Installation of accessories underneath the unit (such as water filter or sediment separator) requires a clearance of 550 and 695 mm, depending on the configuration and the local installation conditions.</p> <p>If the connections of the coffee machine are down through the counter, please also consider the space required by the connection lines, which may restrict the usable space in the substructure.</p> 
<b>Ventilation of undercounter cupboards:</b>	<p>the undercounter cupboards must be well ventilated for installation of sediment separators to prevent dampness (vents, holes).</p> <p>The air inlet at the lowest point and the air outlet at the highest point must be about 5 dm<sup>2</sup>.</p> <p>The sediment separator must be mounted in the air flow between the air inlet and the air outlet.</p>
<b>Water drain:</b>	<p>The drain for the sediment separator is to be connected to a building pipe or a hose with a diameter of at least 1 ½" (DN 40).</p> <p>The drain must have a sufficient gradient to prevent blockage (min. 2 cm/m).</p> <p>Only a pipe syphon is to be mounted to prevent odours.</p> <p>If the syphon is not mounted directly at the drain trough, a vent must be installed between the machine and the syphon to prevent blockage under unfavourable drainage conditions.</p> <p>As an alternative to the odour stopper the connection to the flange can also be made with standard plastic drain pipe using a union nut with G 1 ½".</p>

# WMF COFFEE MACHINES

---

**WMF Aktiengesellschaft Vertrieb Kaffeemaschinen**  
**D-73309 Geislingen/Steige Germany**  
Tel. 0 73 31 - 25 71 98  
E-mail: [Gastronomie@wmf.de](mailto:Gastronomie@wmf.de)

Fax 0 73 31/25 72 95  
Internet: <http://www.wmf.de>