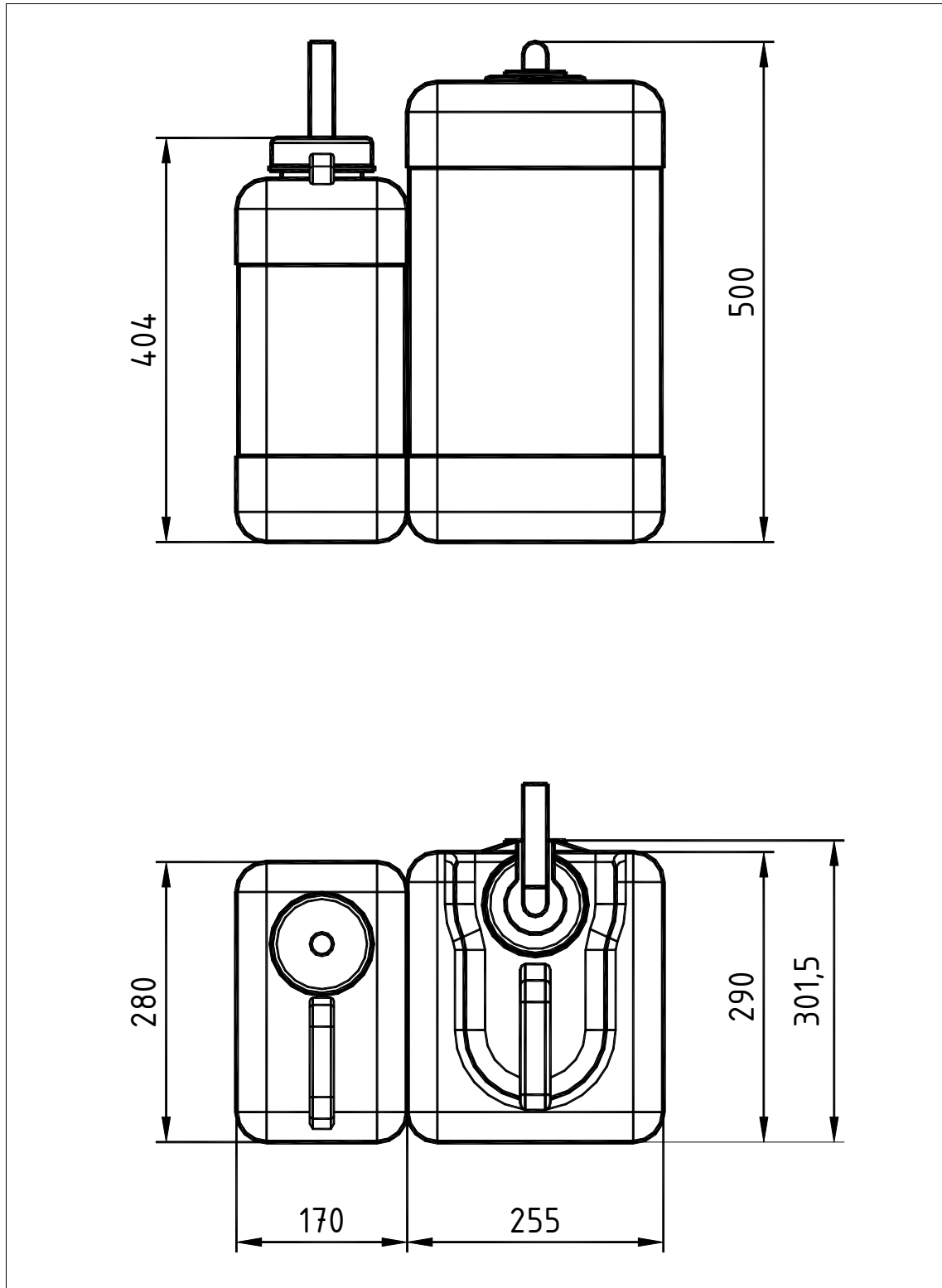


WMF COFFEE MACHINES

WMF Planning Info

Insert 03 9492 0001/0002



WMF Aktiengesellschaft Vertrieb Kaffeemaschinen
D-73309 Geislingen/Steige Germany
Telefon 0 73 31 - 25 87 68
E-Mail: Gastronomie@wmf.de
Best. Nr. 63.8443.0390

Telefax 0 73 31/25 81 69
Internet: <http://www.wmf.de>

WMF COFFEE MACHINES

Data sheet for insert series 03 9492 0001 / 0002

Type:	03 9492 0001 suitable for WMF Presto 03 9492 0002 suitable for WMF 1800 S and WMF 2000S insert – without Waterfilter, separate water supply or drainage for coffee machine locations without a water supply or for installation in counters or for mobile applications. Suitable for operation of a WMF coffee machine Presto, 1800S or 2000S
Accessories:	Water tank (plastic) 25 L, B 255 x H 500 x T 301,5, waste water tank (plastic) 13 L, B 170 x H 404 x T 280, level sensor (for water tank)
Special accessories:	
Installation template:	One installation template, dimensions W 450 mm x H 530 mm x D 330 mm , is required for correct installation of components as specified by the drawing.
Empty weight:	ca. 3,5 kg