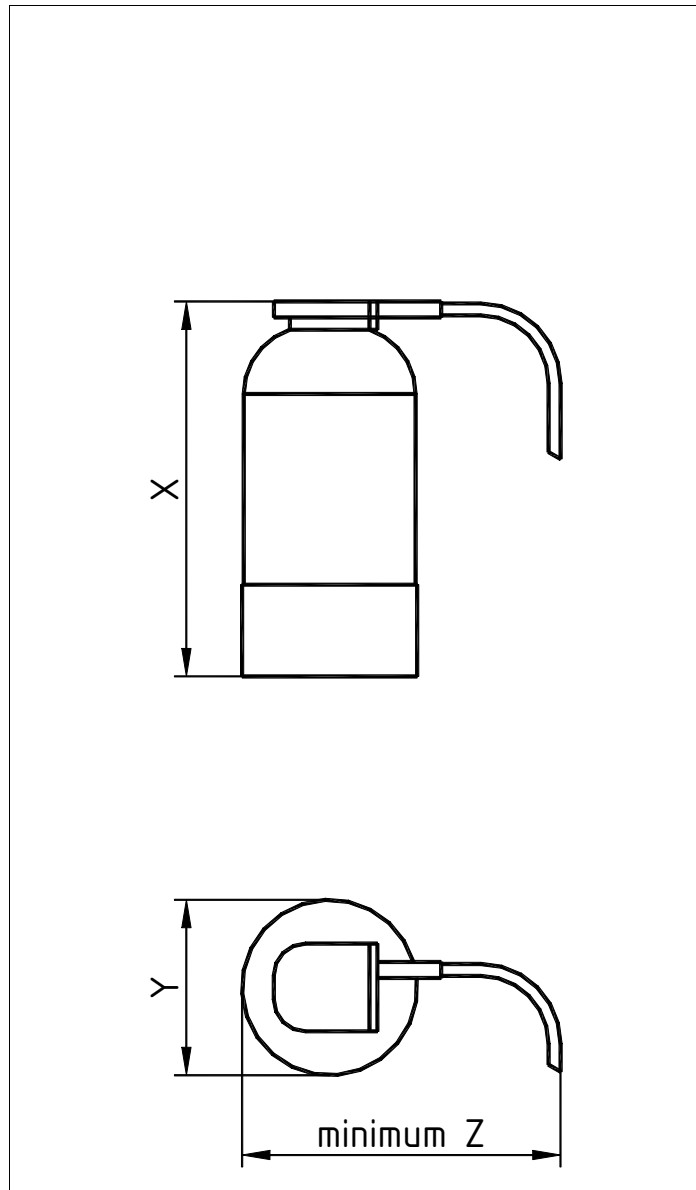


WMF COFFEE MACHINES

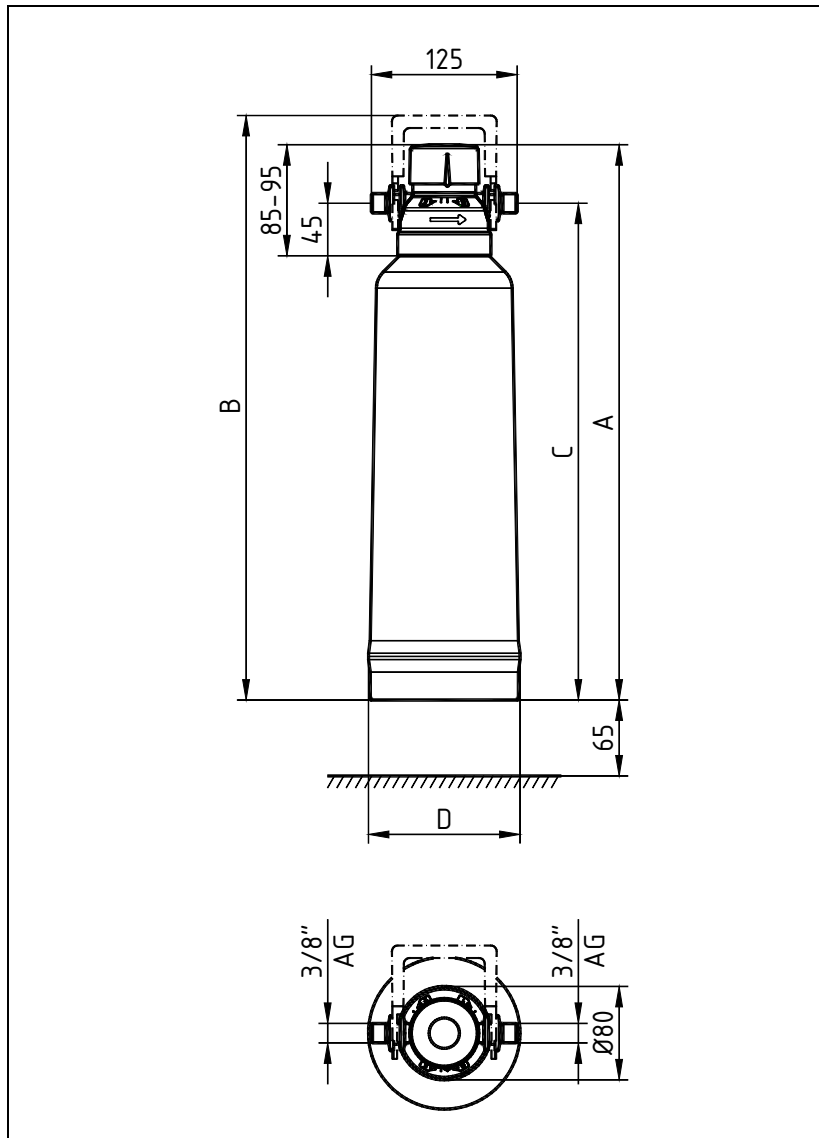
WMF Planning Info

Water treatment filters for WMF coffee machines



Type:	Coffee Machine	Measurements	Capacity in Liters
03 9320 0001 (A 200)	Suitable for Cafemat ! Series with storage urn	X = 491, Y = 220, Z = 400, clearance height 500 mm	7.200 Liters
03 9321 0001 (A 300)	Suitable for Programat GV	X = 651, Y = 260, Z = 420, clearance height 670 mm	16.000 Liters
03 9322 0001 (A 200 CNF)	Suitable for combination F and combiNation F 2	X = 491, Y = 220, Z = 400, clearance height 500 mm	7.200 Liters

WMF COFFEE MACHINES



Filter Type	Article No.	Measure A	Measure B	Measure C	Measure D	Capacity at 10 ° German water hardness
Bestmax V water filter for Prestolino Series	03 9333 0001	410 – 420	450	370	115	2500 Liters
Bestmax M water filter for Presto Series	03 9331 0001	460 – 470	500	420	130	3800 Liters
Bestmax M water filter equipped with water meter, only for WMF FAEMA	03 9331 1001	460 – 470	500	420	130	3800 Liters
Bestmax XL water filter for Bistro, combiNation S, combiNation E, Cafemat without storage urn	03 9332 0001	490 – 500	530	450	145	6800 Liters
Bestmax 2XL water filter for Bistro, combiNation S, combiNation E, Cafemat with storage urn	03 9334 0001	560 – 570	600	520	185	12000 Liters
Bestmax 2XL water filter for combiNation F	03 9335 0001	560 – 570	600	520	185	12000 Liters

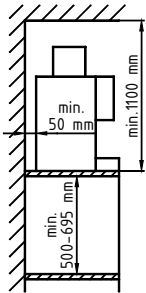
WMF Aktiengesellschaft Vertrieb Kaffeemaschinen
D-73309 Geislingen/Steige Germany
Tel. 0 73 31 - 25 71 98
E-mail: Gastronomie@wmf.de

Fax 0 73 31/25 72 95
Internet: <http://www.wmf.de>

WMF COFFEE MACHINES

Data Sheet WMF Water Treatment Filters

Installation clearances:



For the installation a minimum clearance of 50 mm to the back wall and at the sides to walls or other non-WMF equipment is required for functional, service and safety reasons.

A clear height of 1100 mm from the top of the installation area is required. The height of the installation area from the top of the floor should be at least 700 mm and a maximum of 900 mm.

Installation of accessories underneath the unit (such as water filter or sediment separator) requires a clearance of 500 to 695 mm, depending on the configuration and the local installation conditions.

If the connections of the machine are down through the counter, please also consider the space required by the connection lines, which may restrict the usable space in the substructure.